

Product Specification & Parts Listing

SUMMIT

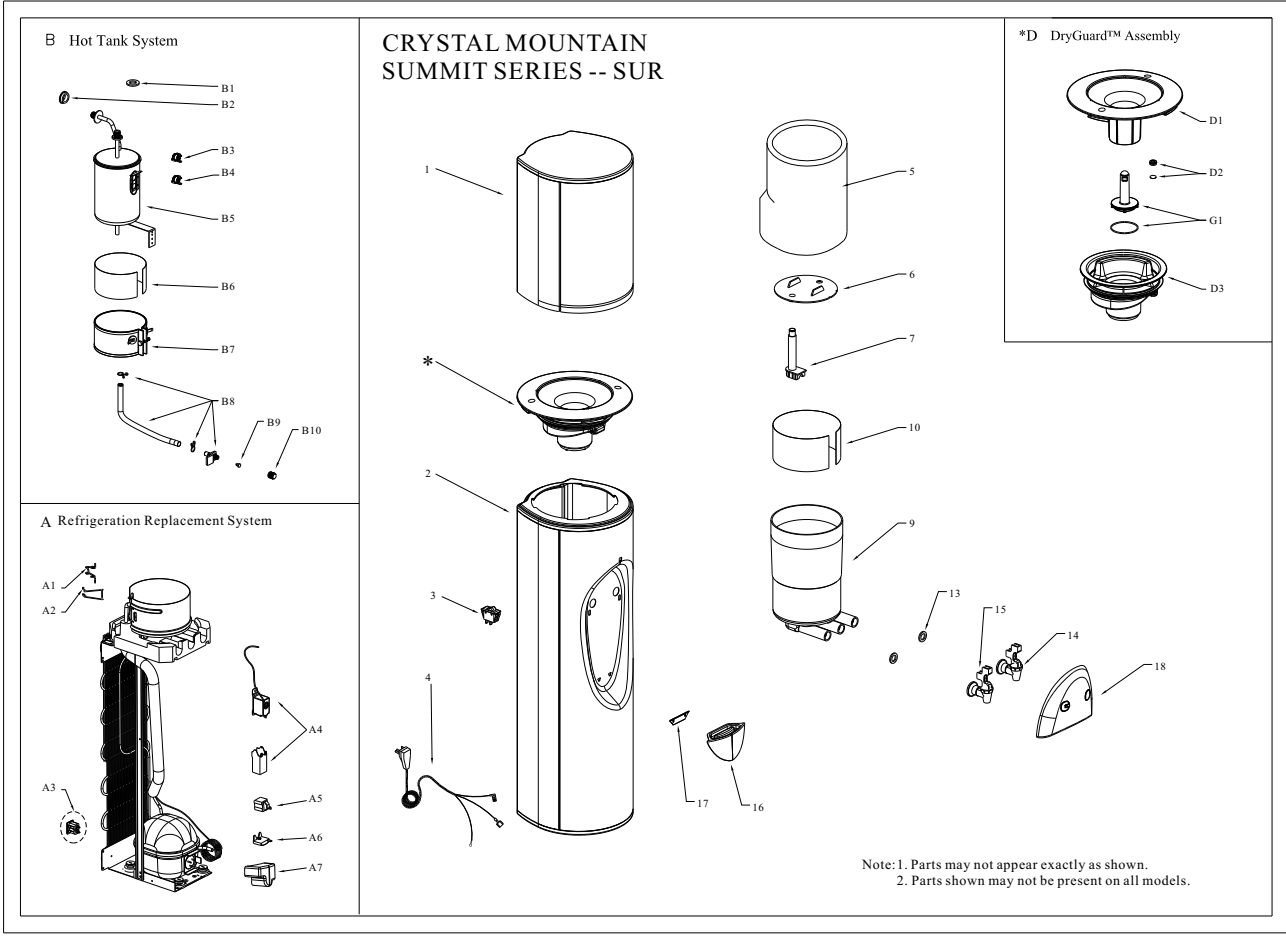
Elegantly designed to fit the décor of any kitchen or executive boardroom, the Summit water dispenser is the latest in classic appliances. Whether complimenting the stainless steel refrigerator or stove in the kitchen, to the executive's office or boardroom, the Summit gives, "Drinking with Style" a whole new meaning.



Model: Summit 100-115VAC

Standard Cooler Specifications and Performance Data

ITEM		SPECIFICATIONS
POWER RATING		SINGLE PHASE 100-115VAC 60Hz
STANDARD CURRENT		H&C: 6.2A, C&C: 1.2A
POWER	COLD	80W
CONSUMPTION	HOT	450W
COLD	COMPRESSOR	SINGLE PHASE MOTOR
	REFRIGERANT	R-134a (30g)
	TEMP RANGE	6°C ± 3°C (43°F ± 6°F)
	TEMP. CONTROL	THERMOSTAT (ON 0°C TO 8.9°C ±1.5°C) (OFF -17.8°C ±1.5°C)
HOT	HEATER	BAND HEATER
	TEMP RANGE	74°C - 92°C (165.2°F - 197.6°F)
	SAFETY DEVICE	BIMETAL (MANUAL RESET 95°C OFF)
	TEMP CONTROL	BIMETAL (82°C - 89°C)
NOISE(SOUND POWER LEVEL)		38dB(A)
NET WEIGHT		H&C: 19.6kg, C&C: 18.9kg
DIMENSION		300(W)x305(D)x970(H)mm



**CRYSTAL MOUNTAIN
115V SUMMIT SERIES (SUR) BOTTLE TYPE WATER COOLER**

NO.	DESCRIPTION	PART CODE	NO.	DESCRIPTION	PART CODE	
1	SUMMIT BOTTLE COVER	SUB-C100028	A	A5 RELAY 115V (LG)	REF-C000004	
2	SUMMIT BODY ASSEMBLY FOR FAUCET COVER	SUB-C100083		A5 RELAY 115V (TECUMSEH / KK)	REF-C100098	
	SUMMIT BODY ASSEMBLY FOR NO FAUCET COVER	SUB-C100058		A6 CUTOUT 115V (LG)	REF-C000002	
3	POWER SWITCH	ELE-C000010		A6 CUTOUT 115V (TECUMSEH / KK)	REF-C100094	
4	POWER CORD 115V C&C	ELE-C100017		A7 COMPRESSOR DUST COVER (LG)	REF-C100040	
	POWER CORD 115V H&C	ELE-C100018		A7 COMPRESSOR DUST COVER (KK)	REF-C100098	
5	R RESERVOIR INSULATION TOP	REF-C000026		HOT TANK SYSTEM - R RESERVOIR - SLIDE TYPE		SUB-C000089
6	BAFFLE DISC	PLC-C000073	HOT TANK SYSTEM - R RESERVOIR - SCREW TYPE		SUB-C100101	
7	C&C BAFFLE STEM	PLC-C000123	B1	INLET GASKET	SIL-C000002	
	H&C BAFFLE	PLC-C000107	B2	HOT FAUCET GASKET	SIL-C100014	
9	R RESERVOIR - C&C	PLC-C000095	B3	MANUAL RESET 95C - SLIDE TYPE	ELE-C000054	
	R RESERVOIR - H&C	PLC-C000118	B3	MANUAL RESET 95C - SCREW TYPE	ELE-C100088	
10	EVAPORATOR GASKET PAPER	MIS-C000049	B4	AUTO RESET 87C - SLIDE TYPE	ELE-C000063	
13	SUMMIT FAUCET GASKET	SIL-C100014	B4	AUTO RESET 85C - SCREW TYPE	ELE-C100110	
14	FAUCET FEMALE BLACK / BLACK	FAU-C000004	B5	HOT TANK FOR R RESERVOIR - SLIDE TYPE	SMT-C000134	
14A	SUMMIT FEM FAUCET ASSEMBLY (USE WITH COVER)	SUB-C100029	B5	HOT TANK FOR R RESERVOIR - SCREW TYPE	SMT-C100044	
15	FAUCET FEMALE BLACK / WHITE	FAU-C000020	B6	NOMEX PAPER	MIS-C000041	
15A	FAUCET FEMALE BLACK / RED CHILDPROOF	FAU-C000083	B7	115V MICA HEATER BANDS	ELE-C000051	
16	SUMMIT DRIP TRAY - CHROME	PLC-C100049	B8	HT DRAIN TUBE ASSEMBLY	SUB-C100174	
17	SS DRIP TRAY CLIP	SMT-C100042	B9	RED DRAIN CAP PLUG	SIL-C100055	
18	SUMMIT FAUCET COVER - H&C	SUB-C100032	B10	HOT TANK DRAIN CAP	PLC-C100004	
	SUMMIT FAUCET COVER - C&C	SUB-C100033	DryGuard™ ASSEMBLY CHROME		SUB-C100088	
A	REFRIGERATION REPLACEMENT SYSTEM 115V		D1	OUTER DryGuard™ COVER CHROME	PLC-C100071	
	A1	EVAPORATOR CATCH	FAS-C000026	D2	DryGuard™ FILTER ASSEMBLY	SUB-C000199
	A2	EVAPORATOR LATCH - R RESERVOIR	FAS-C100004	G1	PIN & SEAL ASSEMBLY	SUB-C000111
	A4	COLD CONTROL	REF-C000012	D3	INNER DryGuard™ CONE	PLC-C100044
	COLD CONTROL DUST COVER	MIS-C100035		DryGuard™ FLOAT RING	PLC-C100046	