

Miscellaneous

Parts Accessories and Cleaning

Ozonator

CM ES450 Ozone Generator
Part Number: MIS-C000053



The **ES450/ES550**, is an ozone generator conveniently housed in an aluminium tool case, it is ideally suited to disinfect Water Coolers.

Crystal Brite™

Crystal Brite Polish (60ml)
Part Number: SUB-C100061



- Cleaning solution specifically formulated to add a protective barrier to your Summit cooler cabinet.
- 60ml

Crystal Cloth™

Crystal Cloth (1pc)
Part Number: MIS-C100014



- Micro fiber cloth designed to be used with Crystal Brite, ideal for polishing Summit model.
- Can be used for dry dusting and simple surface cleaning.
- Machine washable.

Cup Dispenser

Flip Top Cup Dispenser
Part Number: Cup-C100001



- Convenient flip top cover for easy access
- Material: ABS plastic
- Universally designed to fit 7-9.5oz cups
- Include color

Crock-pot

Part Number: MIS-C100071
Part Number: MIS-C100070



•Crock-Pot

Bottle Rack

Part Number: SMT-C100041(6bottle)
Part Number: SMT-C100040(3bottle)



- "U" shaped brackets safely cradle bottles
- Solid steel construction
- 3 bottle size:14.2"x17.3"x30.7"
- 6 bottle size:20.6"x17.3"x30.7"
- Weights: 3 bottle-10kg
6 bottle-15kg
- Colour: white

DryGuard™

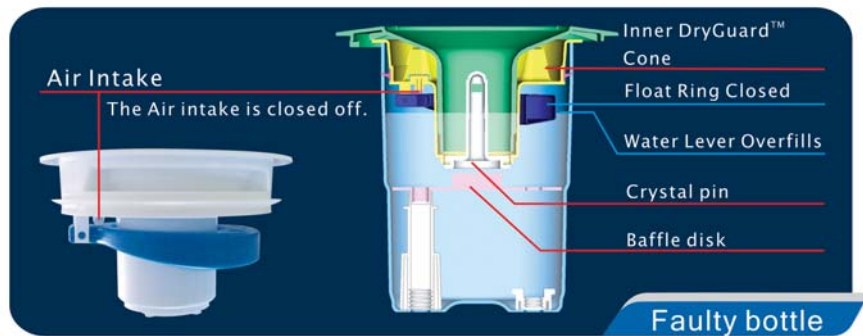
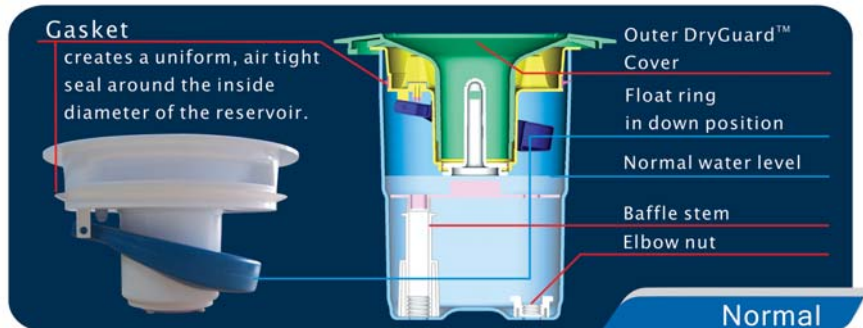
5-micron Air Filter:

Protects against airborne contaminants from entering the water.



How does the DryGuard™ work?

The co-injection molded gasket creates an airtight seal inside the reservoir. In the event of a pinhole or cracked bottle a manual float shuts off the airflow, which prevents any water from escaping the reservoir.



Aqua Flo II

A one piece splash free system that accommodates all caps. Designed from high impact durable ABS plastic, Aqua Flo II enhances the water flow.



Crystal Guard

Sealed, splash free system that protects the integrity of the water. Probe accommodates all industry standard 3 and 5 gallon caps. Easy to remove filter and check valve. Crystal Guard is easy to install and requires no assembly prior to installation. Fits on all Crystal Mountain blow molded cabinets.