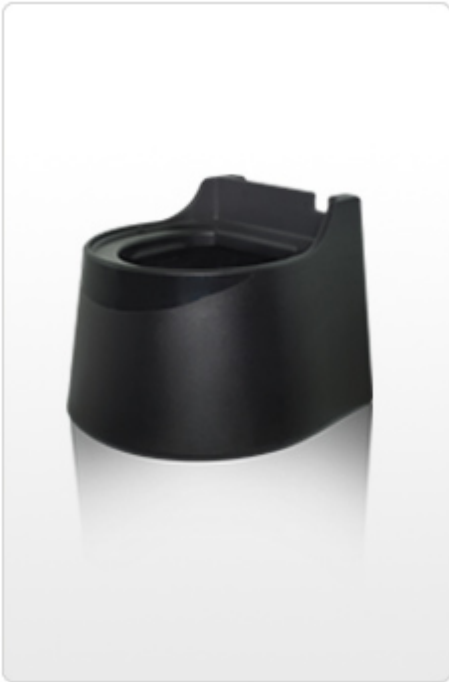


Water Cooler Base

Ergonomic..... No more bending down to pour water!

Compatible with the Glacier and Mogul series POU water coolers.



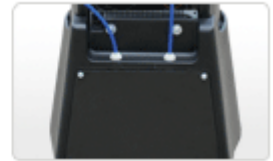
Model: Water Cooler Base



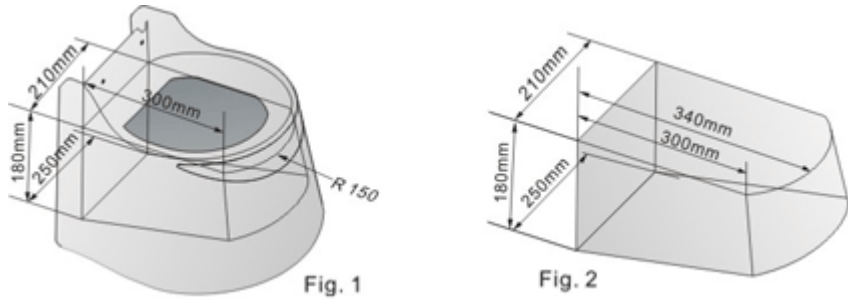
Install filter



Install tube



Install cover

ITEM	SPECIFICATIONS
Cooler Base weight	3.8 kg (8.3 lb)
Cooler Base boxed weight	4.5 kg (9.8 lb)
Filter storage dimensions	 <p>Fig. 1 Fig. 2</p>
Cooler Base dimensions	400(W) x 400(D) x 322(H)mm 15.7 "(W) x 15.7"(D) x 12.7"(H)
Cooler Base boxed dimensions	406(W) x 406(D) x 340(H)mm 15.9"(W) X 15.9"(D) X 13.4"(H)
Loading quantity	20' Container: 420 Units 40' Container: 870 Units

This Company has a policy of continuous development and reserves the right to change specifications without notification. For further clarifications, please contact us at cmsales@crystalcoolers.com